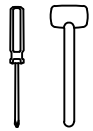
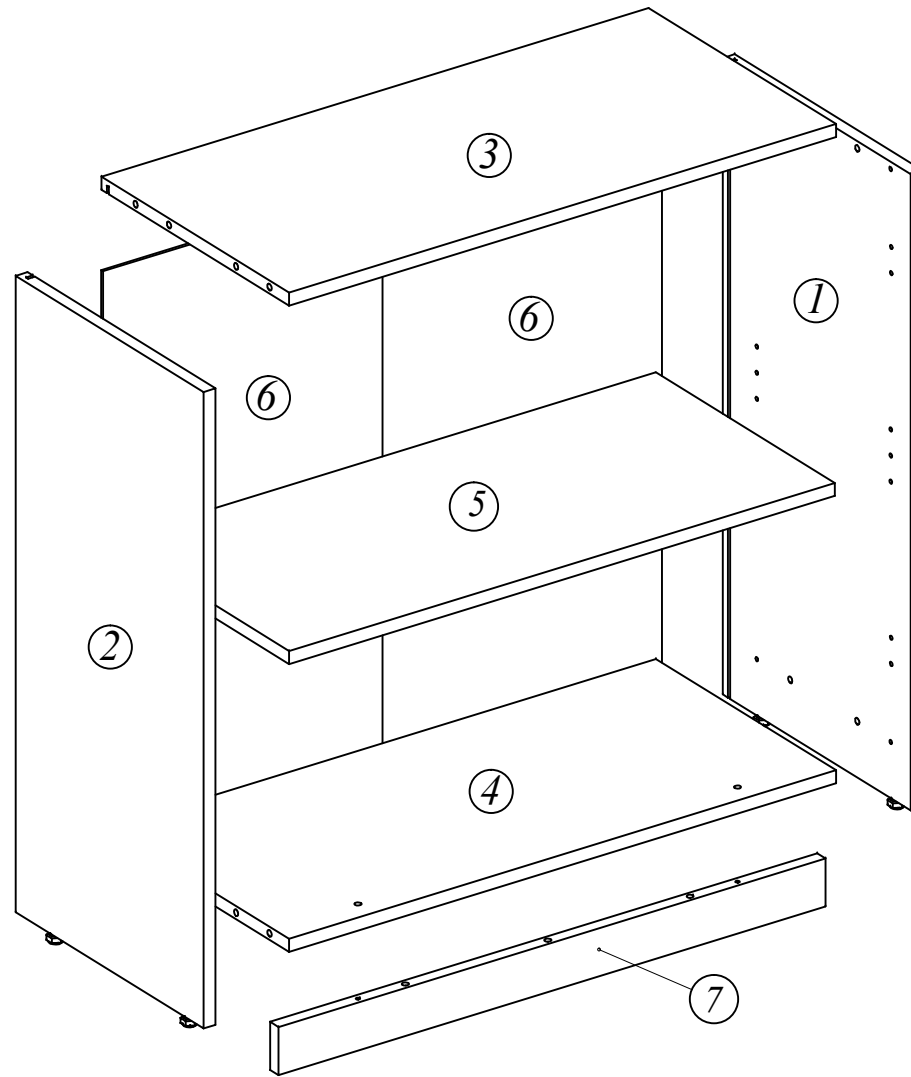
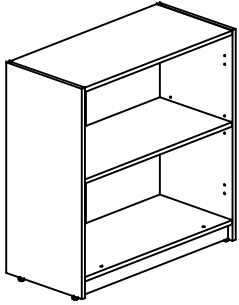


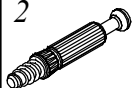
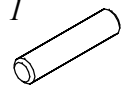


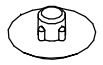
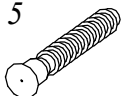
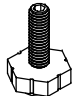
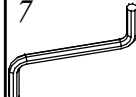

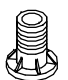
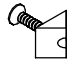
SR - 2W

1

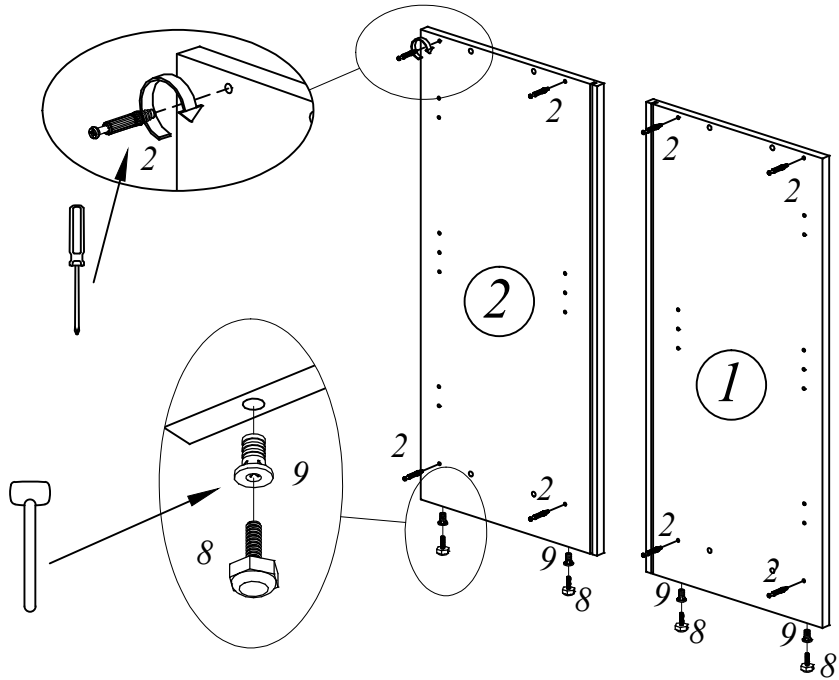



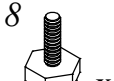
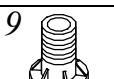
EAC

770x375x790

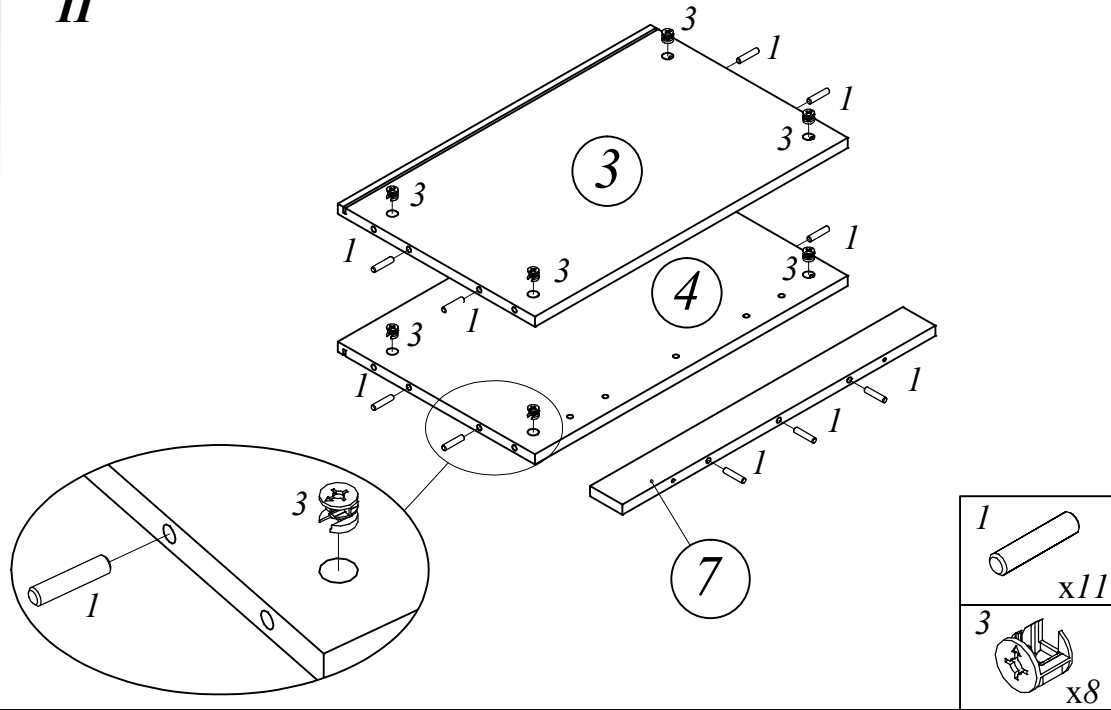
			x8
	x11		x8
	x8		x2
	x2		x4
	x1		x4
	x4		x6

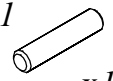

I



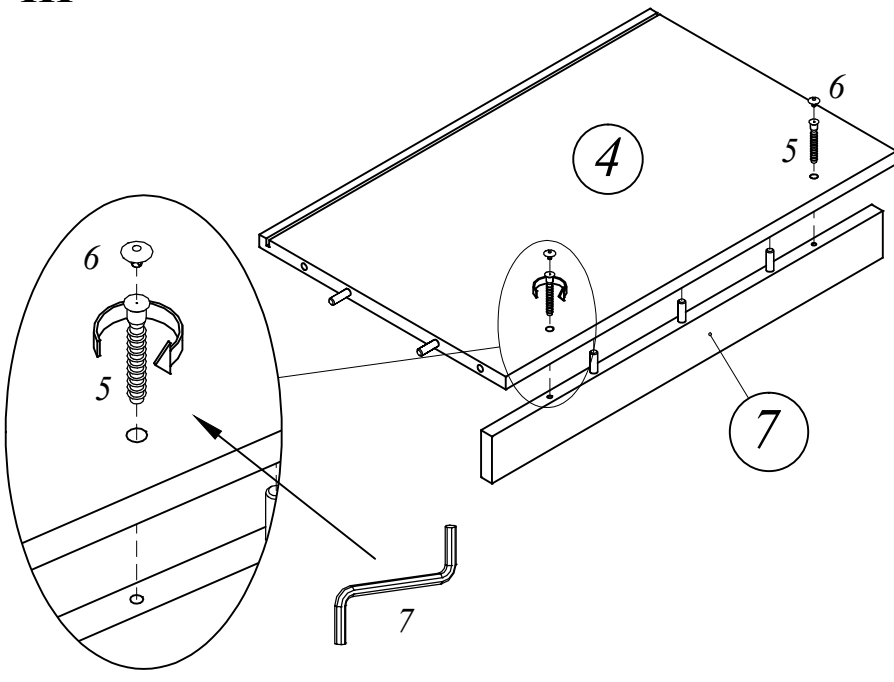
- 2  x8
- 8  x4
- 9  x4

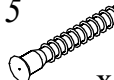

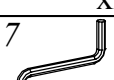
II



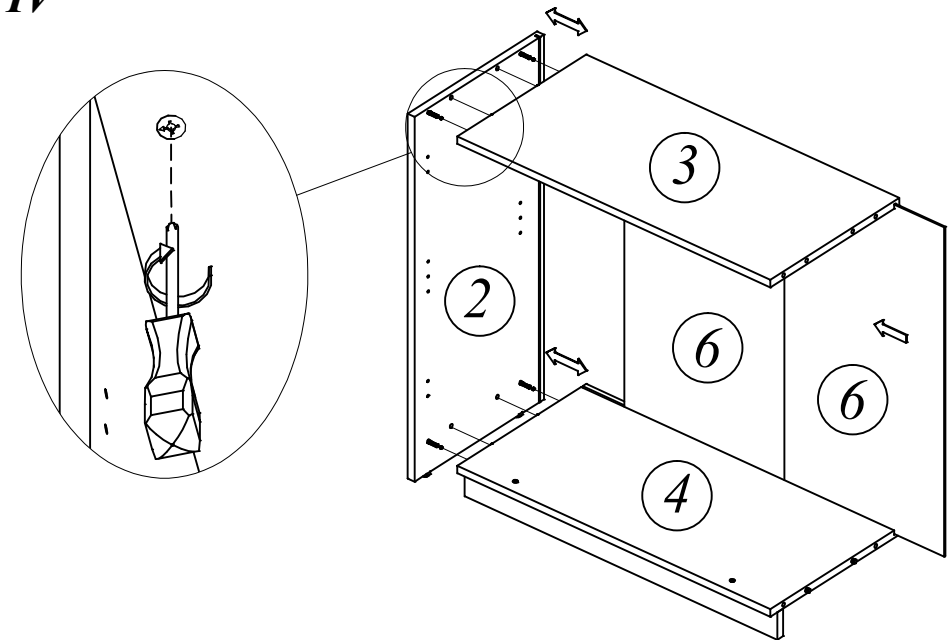
- 1  x11
- 3  x8

III

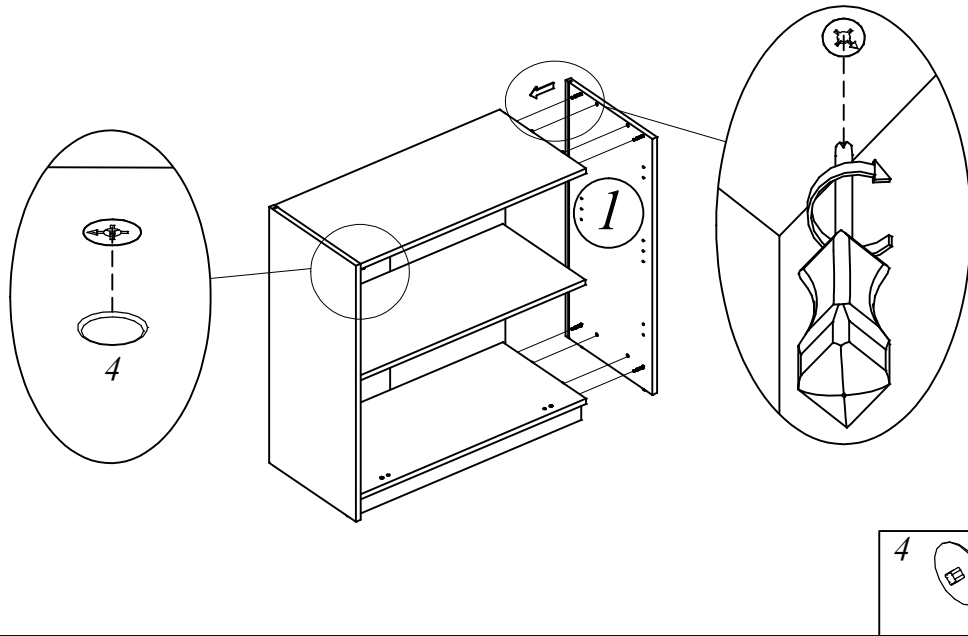


- 5  x2
- 6  x2
- 7  x1

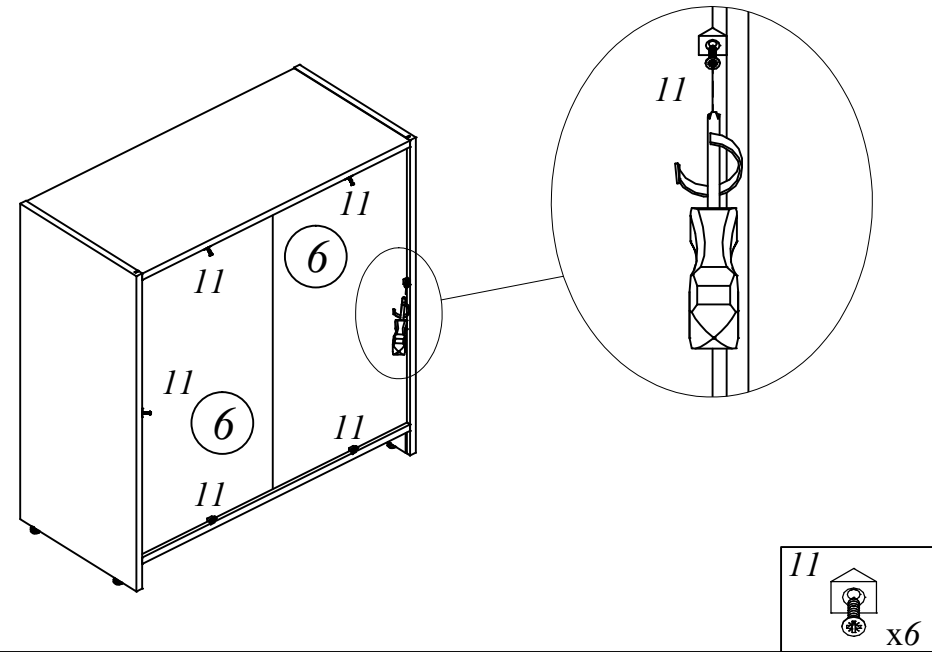
IV



V



VI



VII

